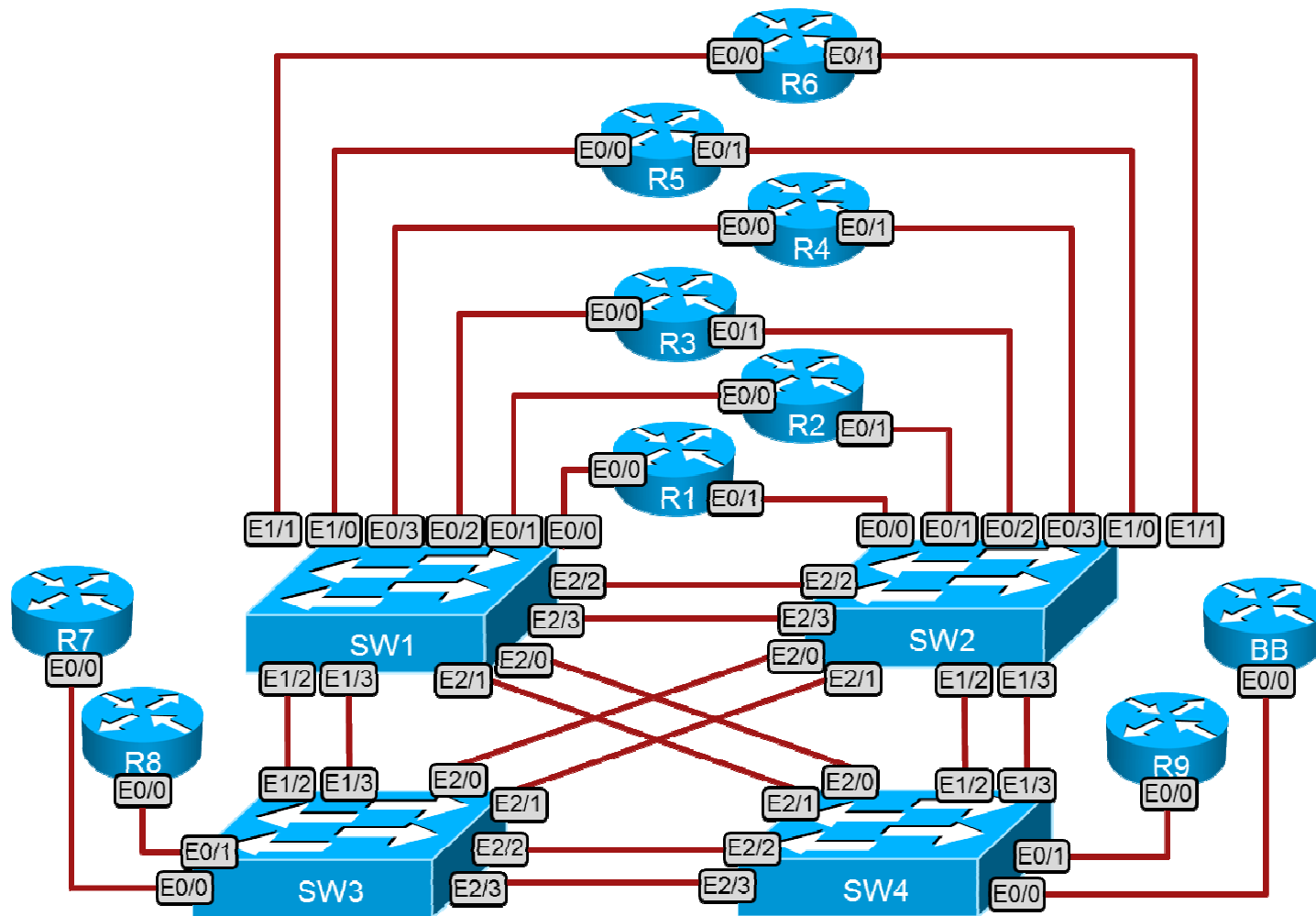


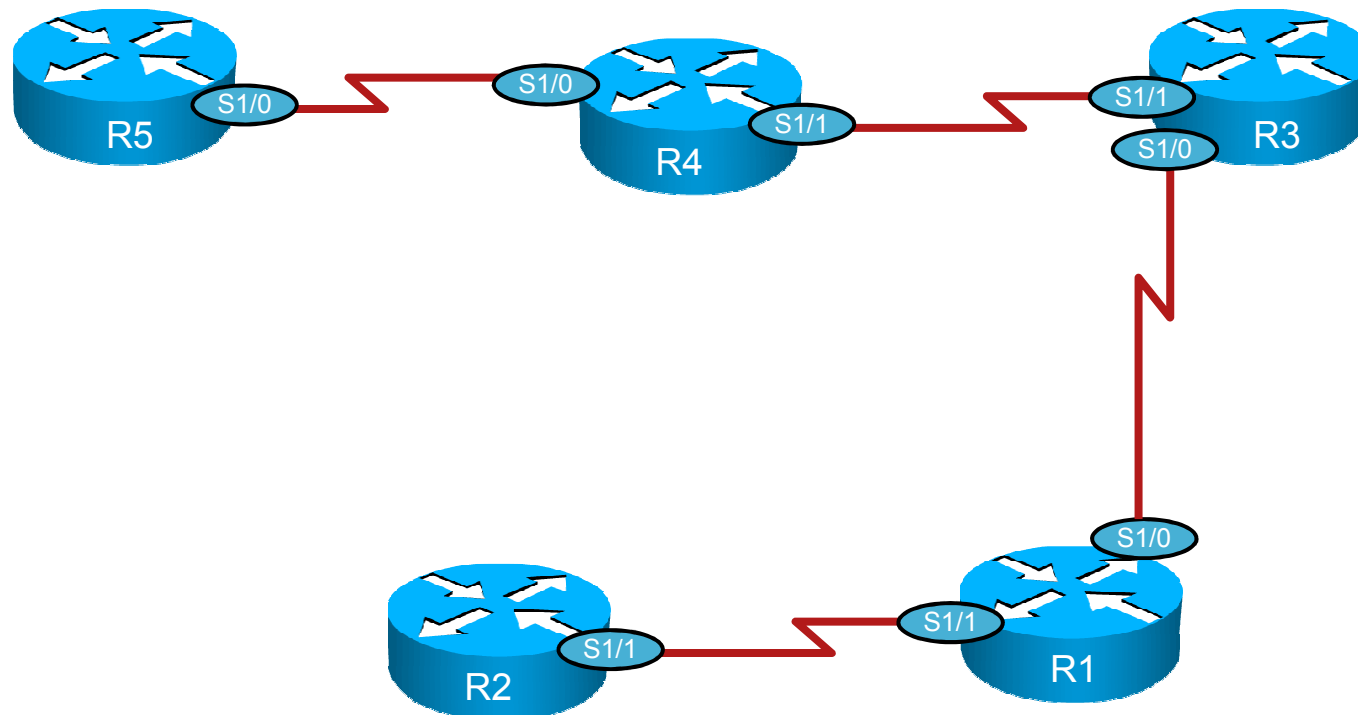
# Lab Guide



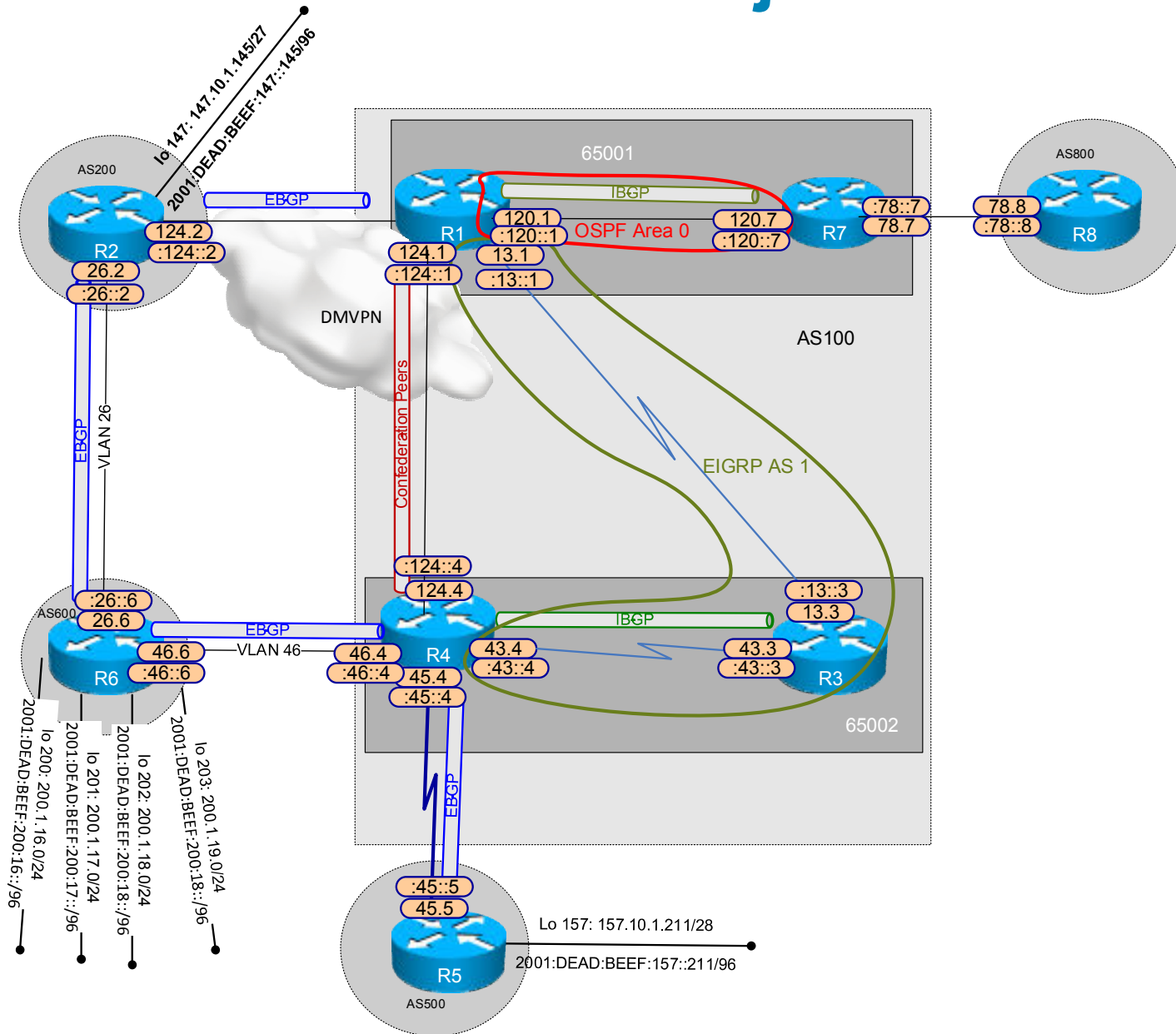
# Ethernet Connections



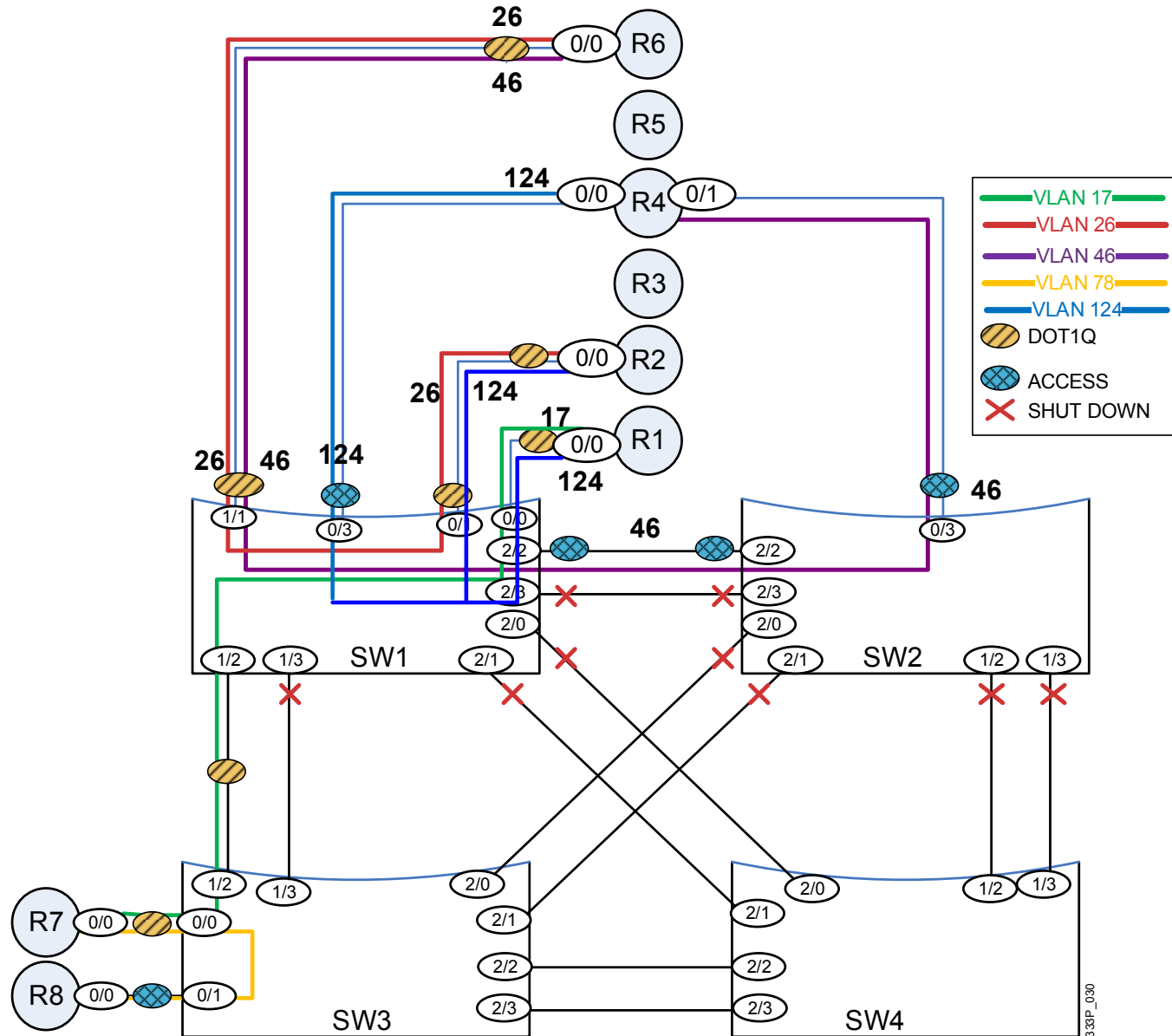
# Serial Connections



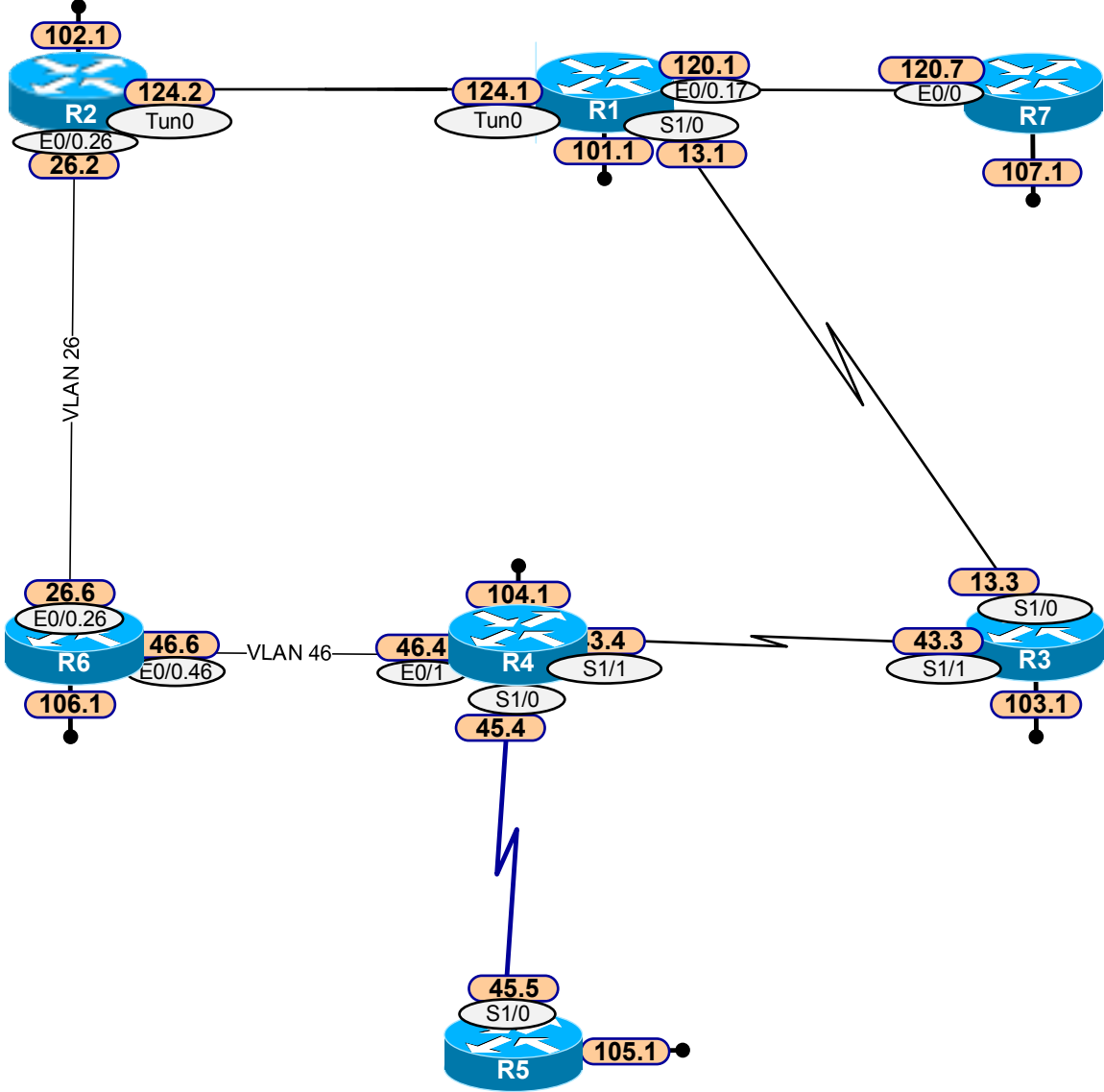
# Module 4 Labs Visual Objective

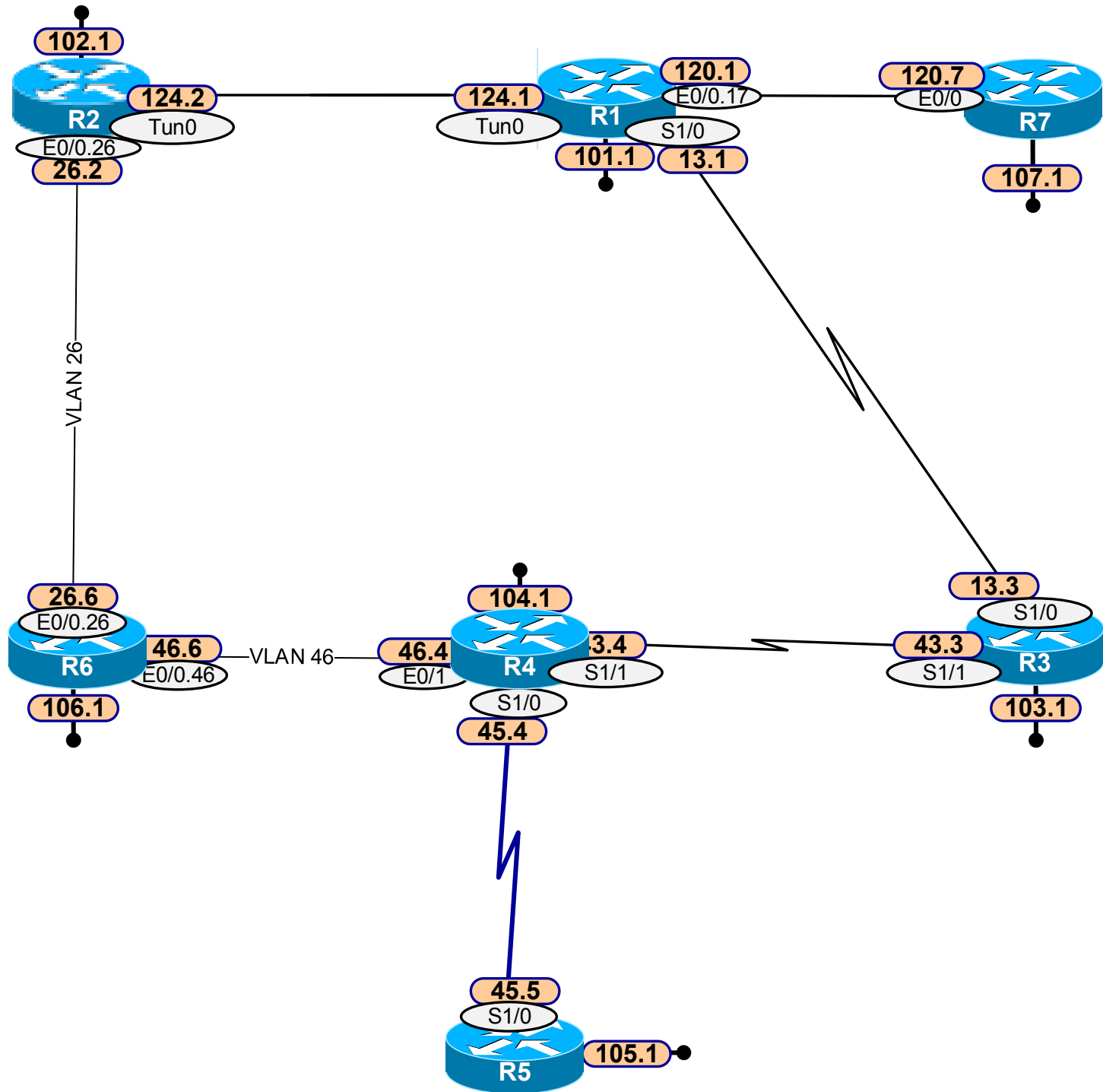


# Module 4 Layer 2 Diagram

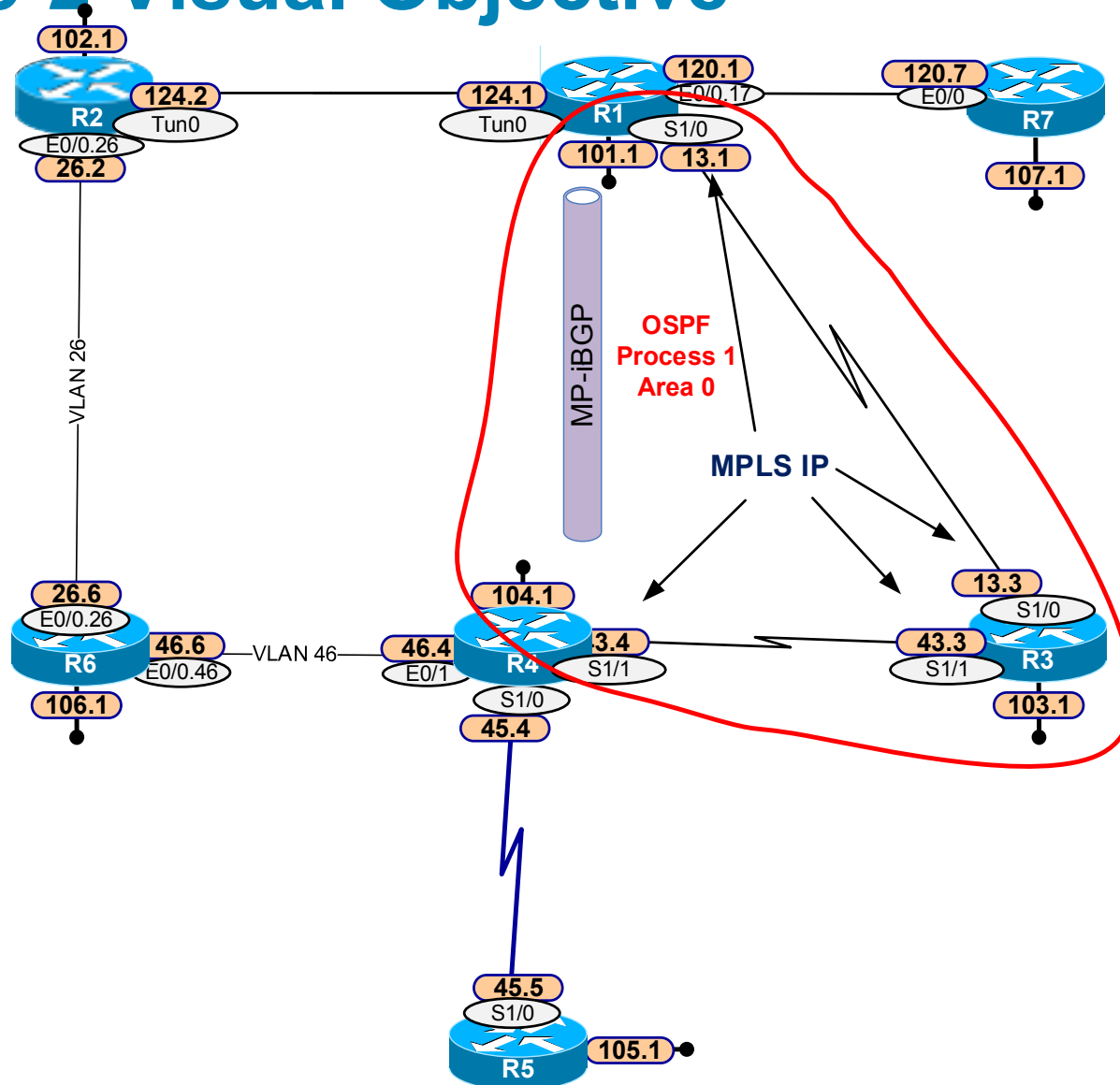


# Lab 5-1 Visual Objective

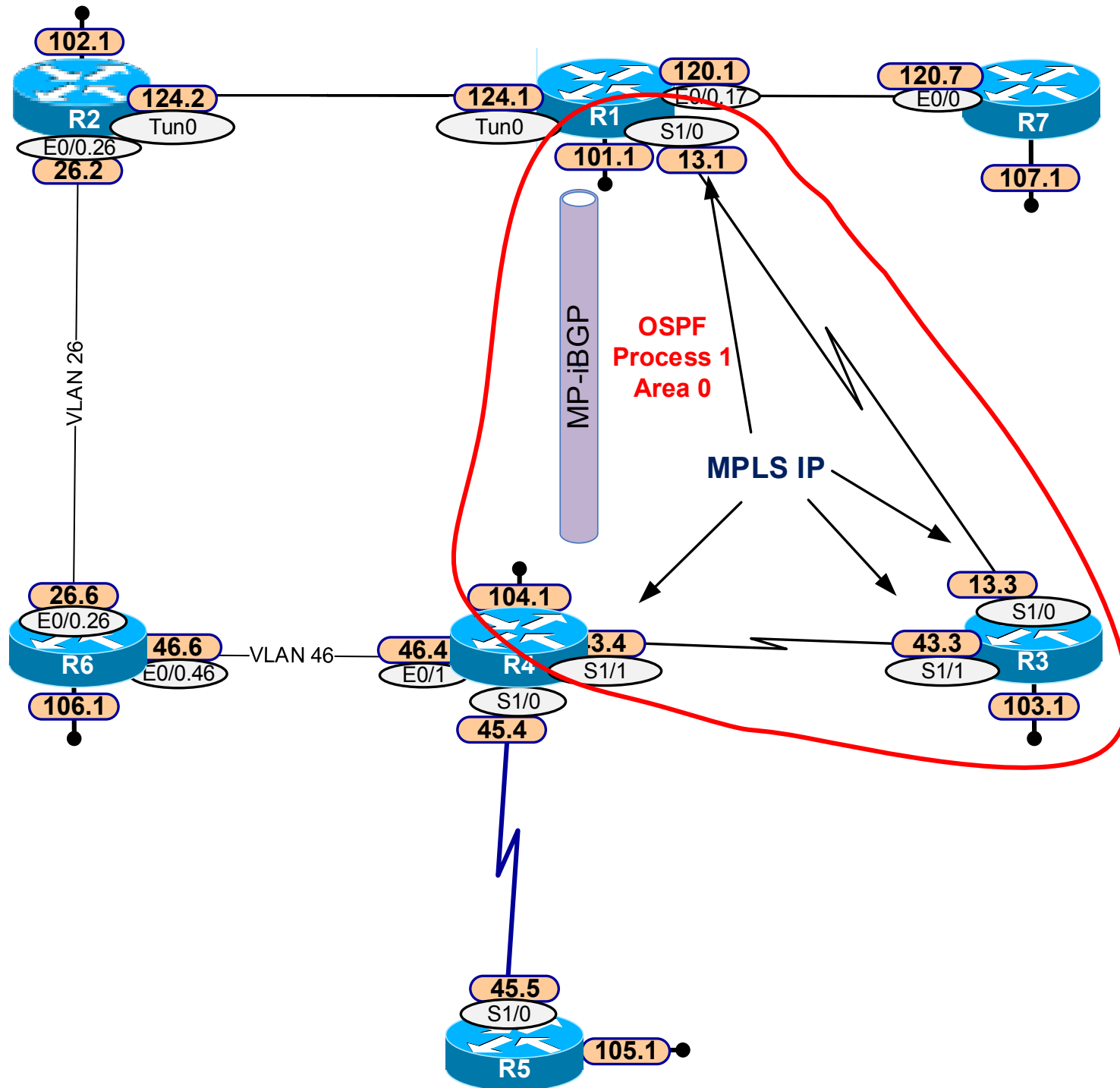




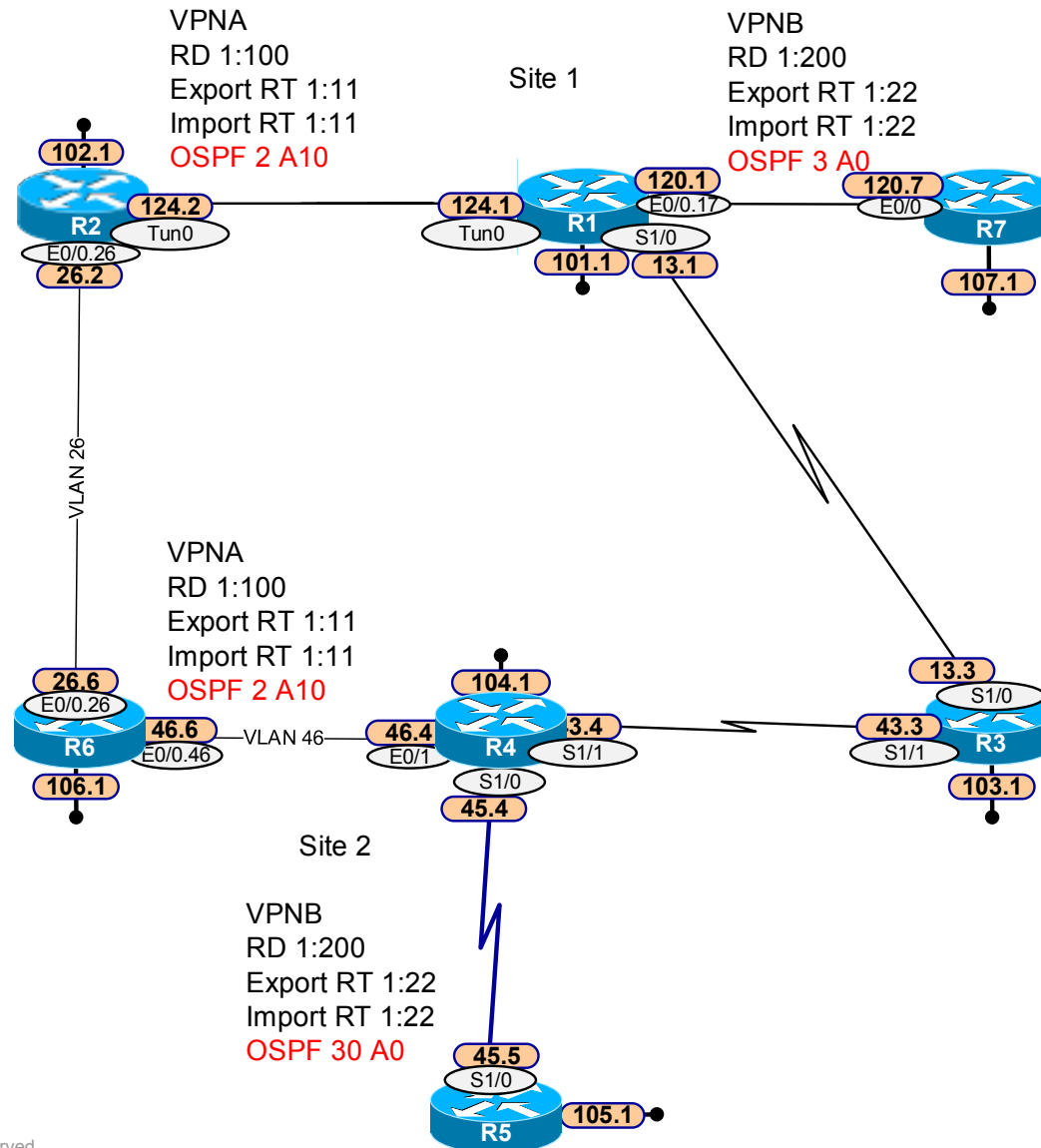
# Lab 5-2 Visual Objective

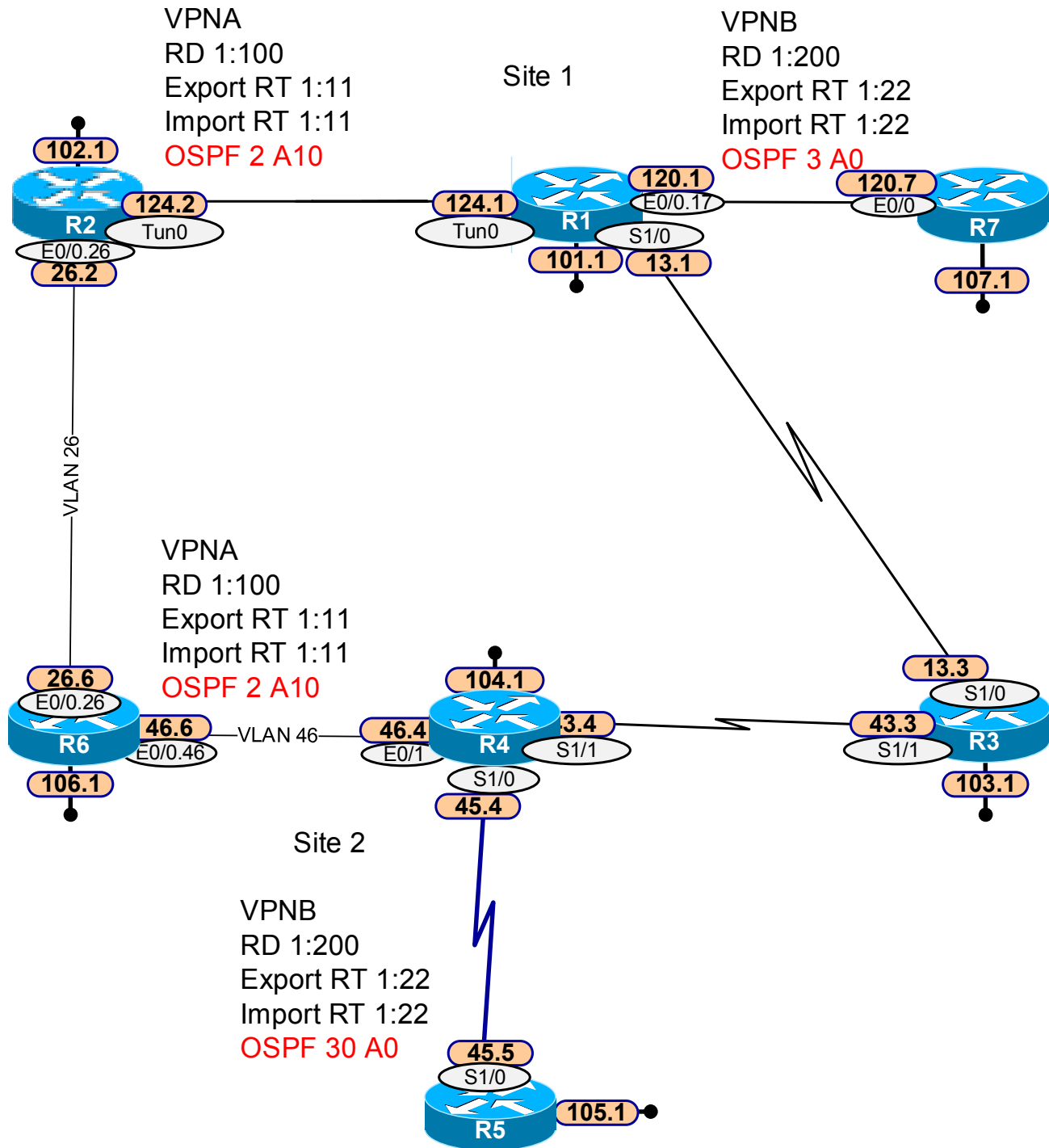




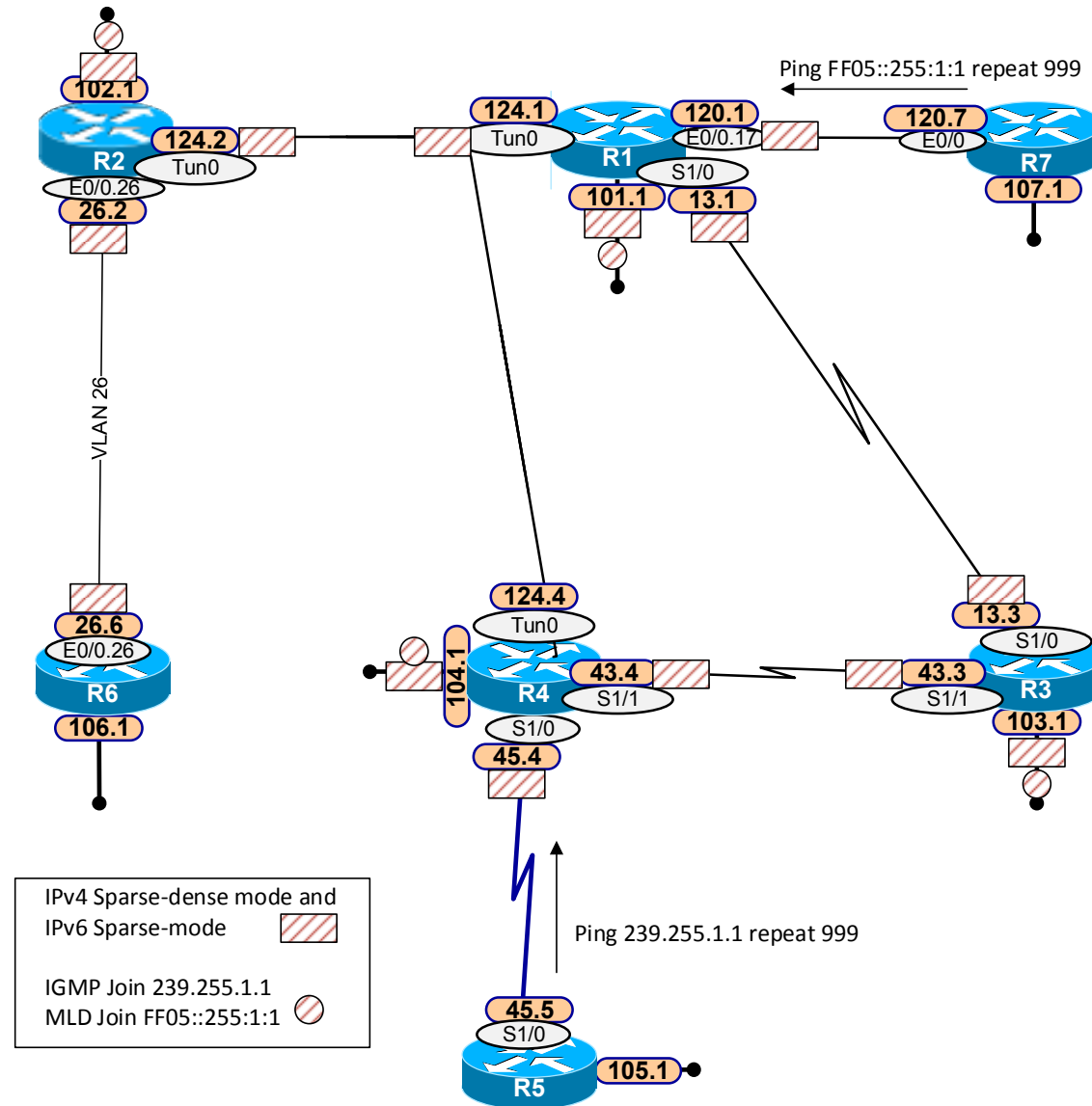


# Lab 5-3 Visual Objective

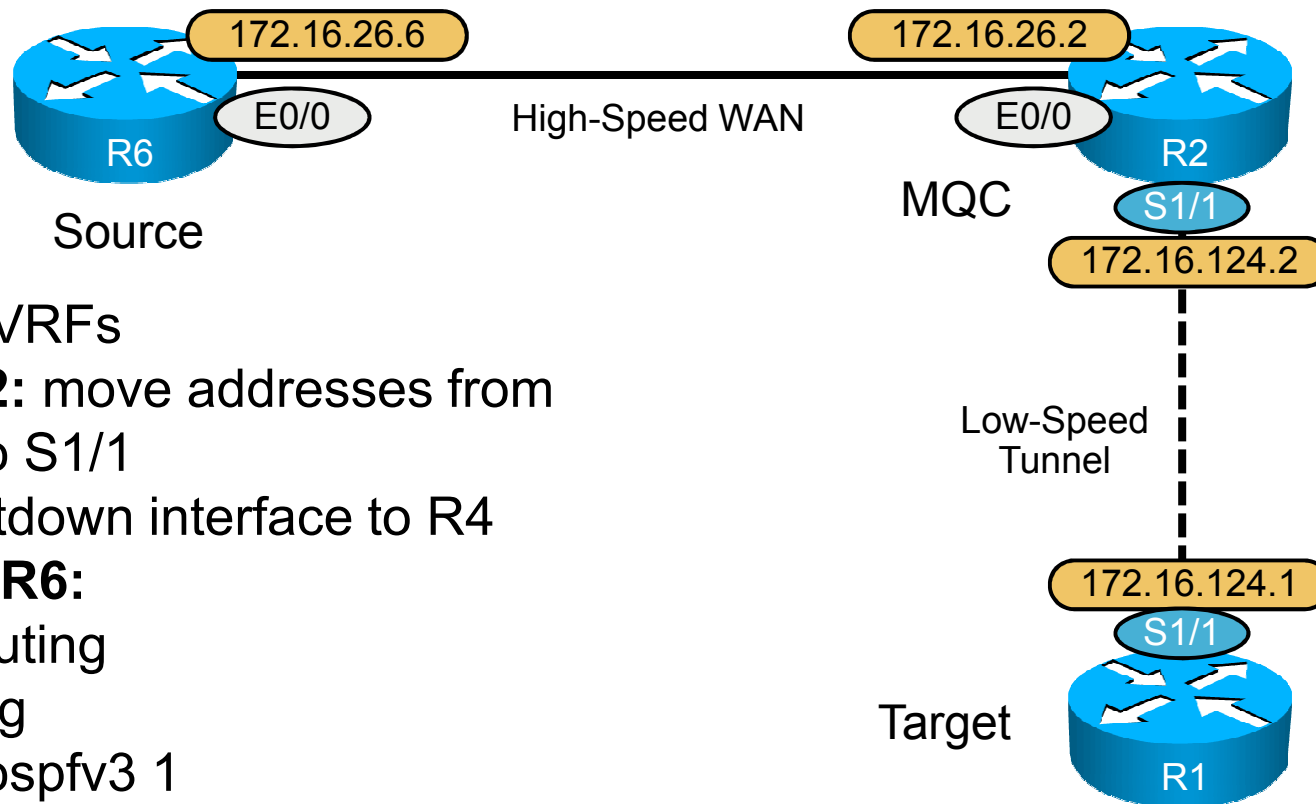




# Module 6 Labs Visual Objective



# Module 7 Directed Activities Visual Objective



**R1:** No VRFs

**R1 & R2:** move addresses from tunnel to S1/1

**R6:** shutdown interface to R4

**R1, R2, R6:**

No ip routing

Ip routing

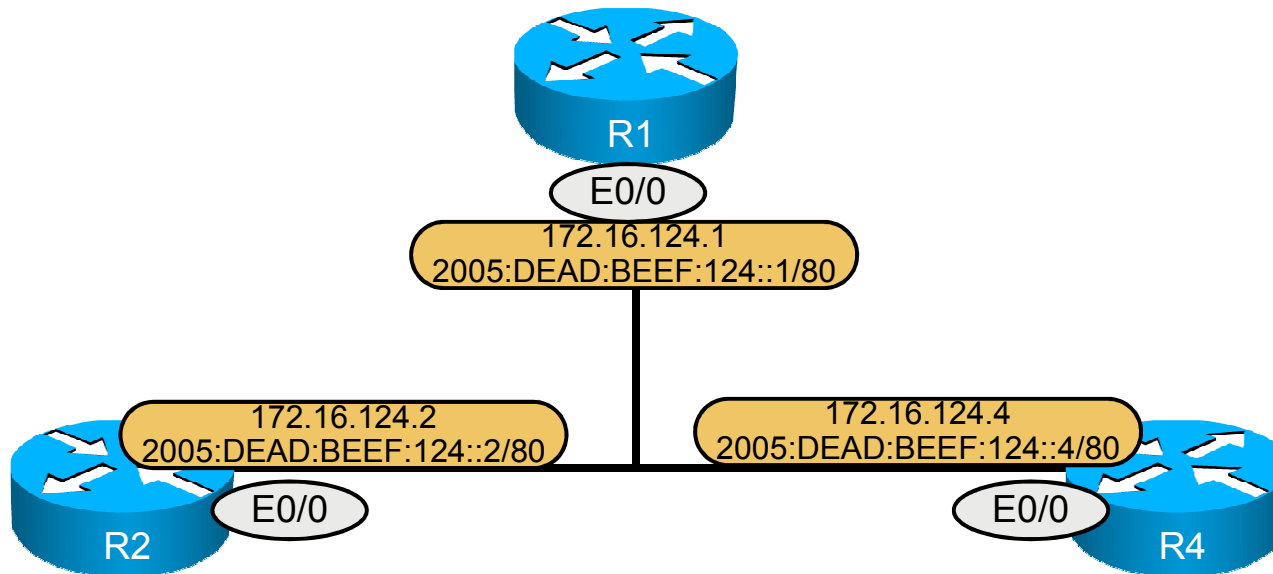
Router ospfv3 1

Under all interfaces:

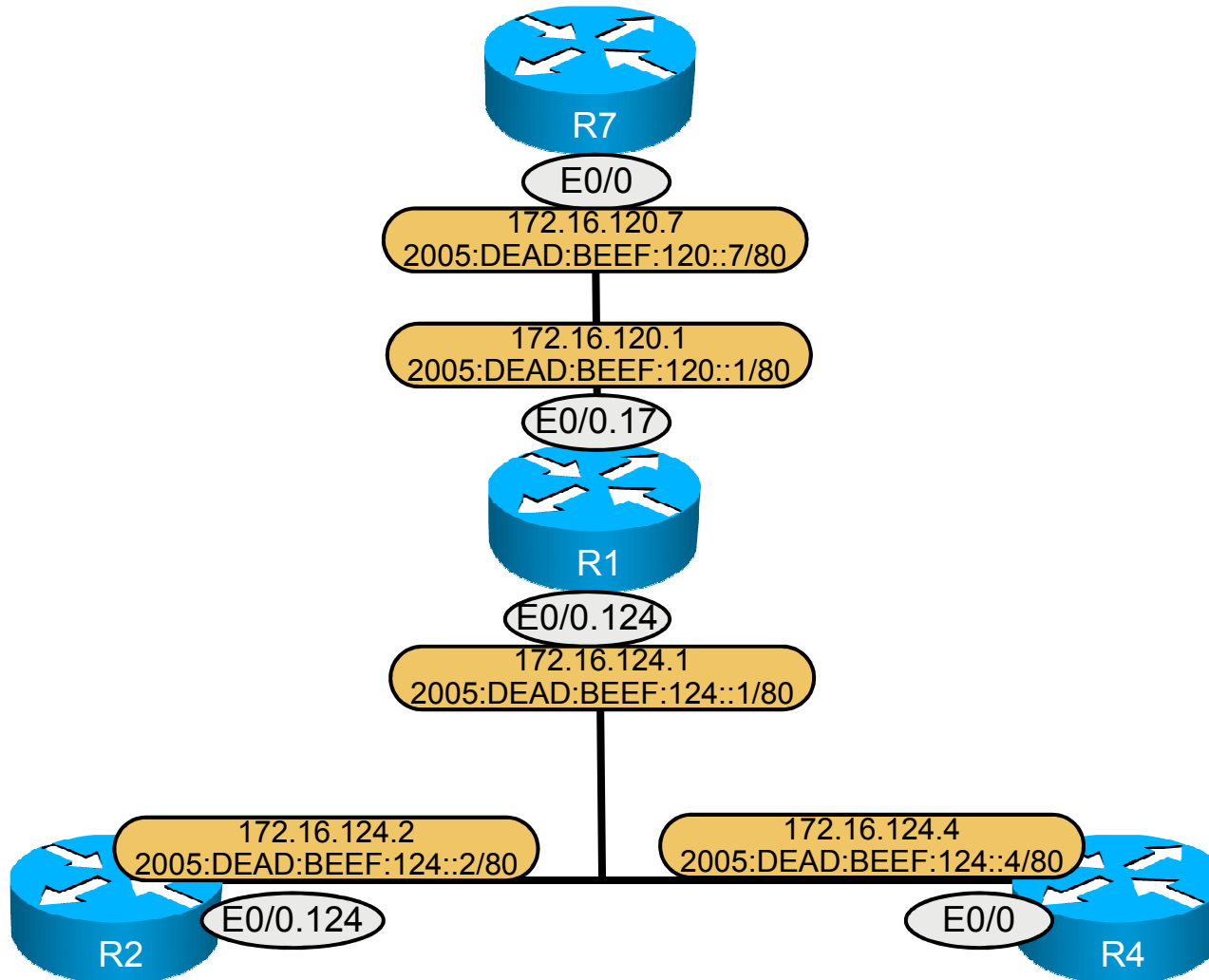
ospfv3 1 ipv4 area 0

ospfv3 1 ipv6 area 0

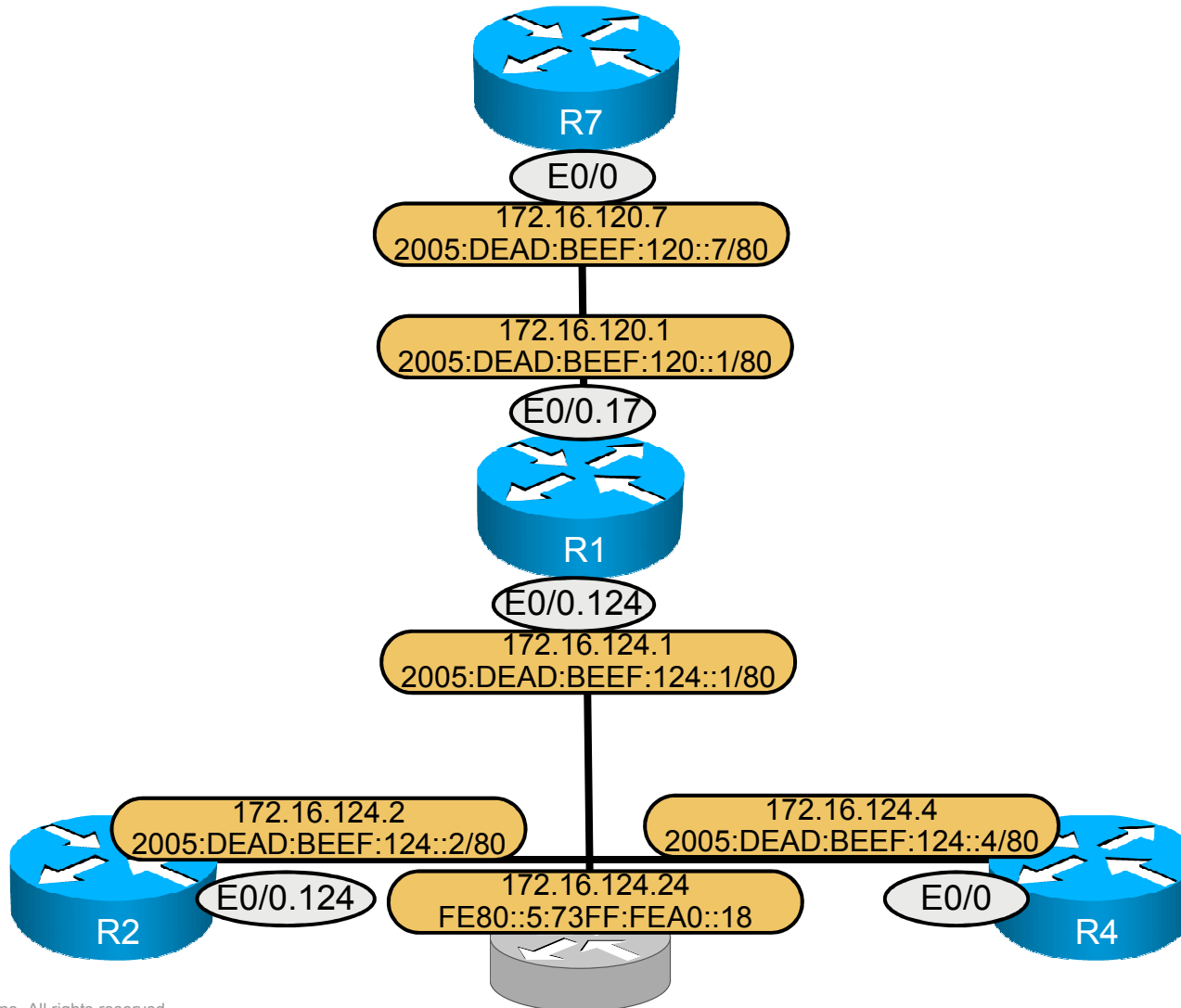
# Module 8 Lab 8-1 Visual Objective



# Module 8 Visual Objective

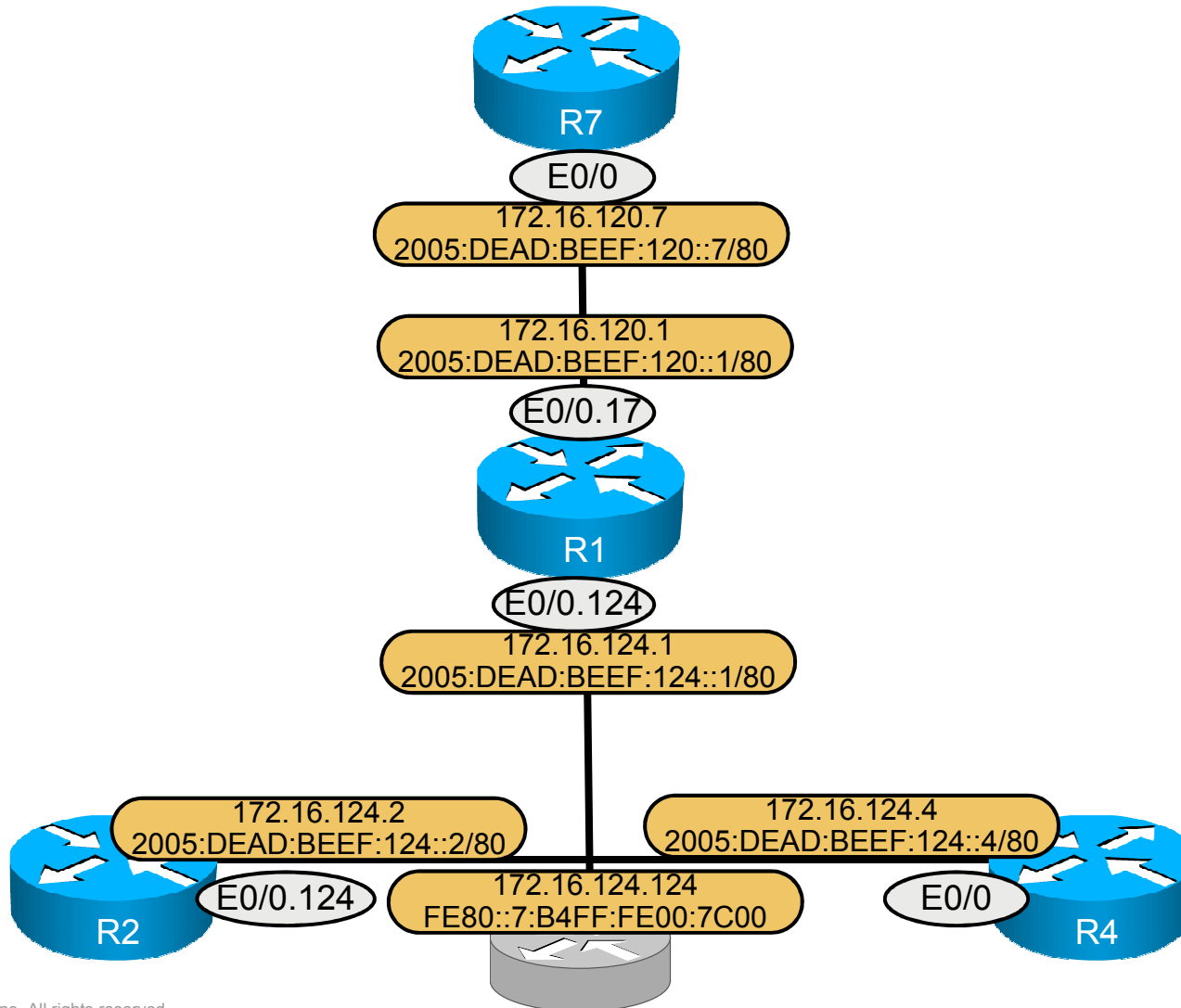


# Module 8-2 HSRP Visual Objective

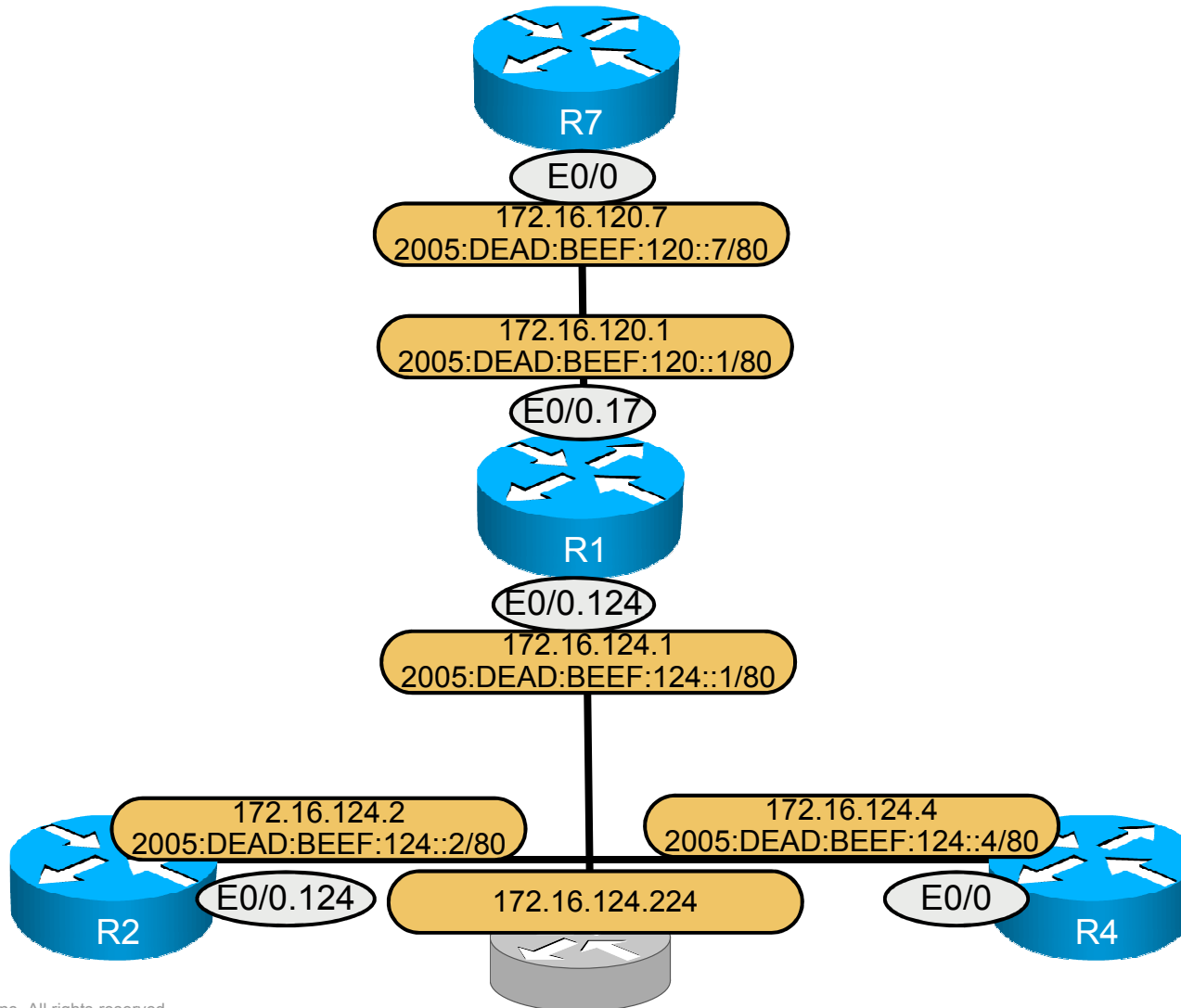




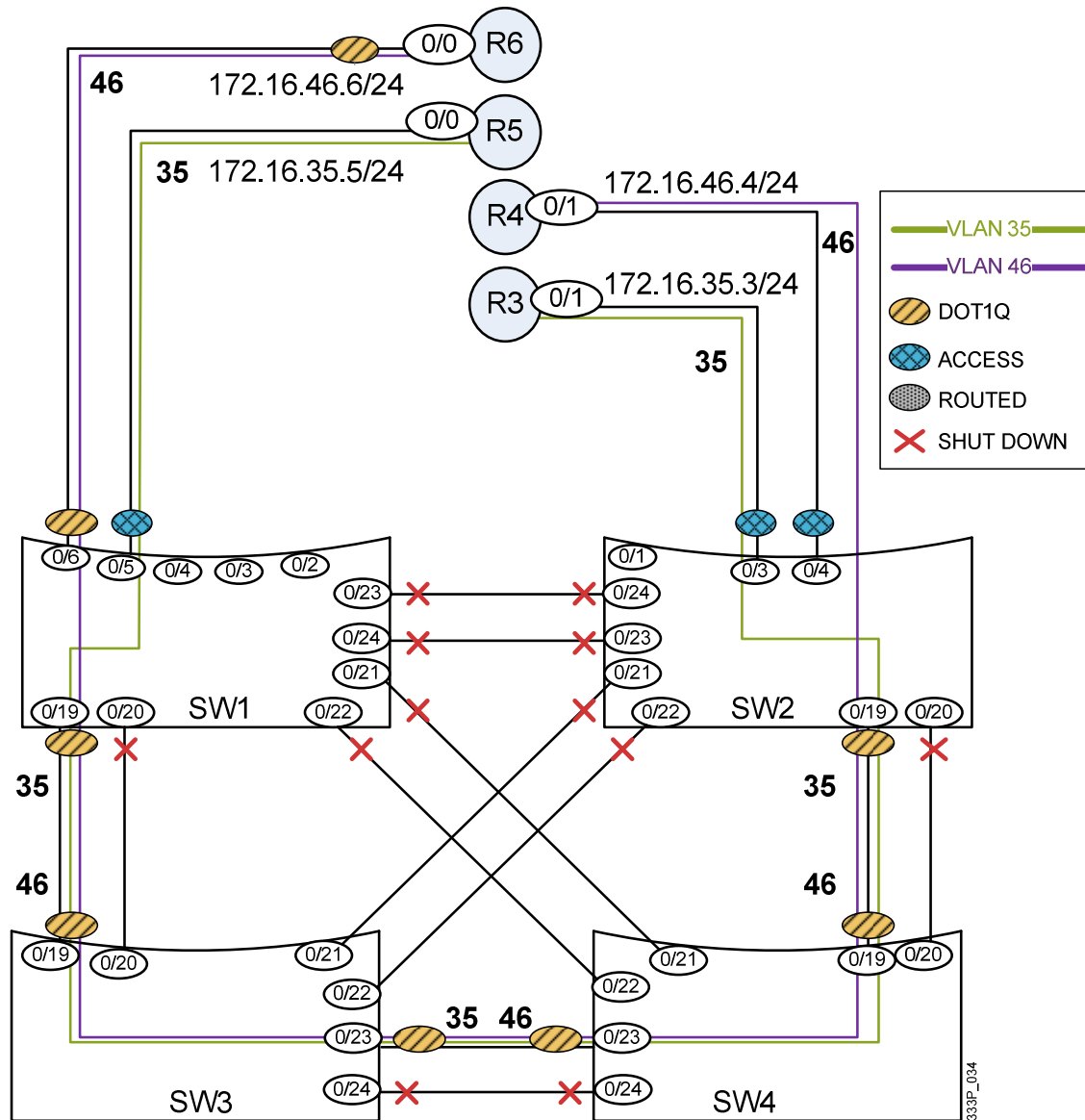
# Module 8-2 GLBP Visual Objective



# Module 8-2 VRRP Visual Objective



# Appendix A Labs Visual Objective



# Appendix B Directed Activities

## Visual Objective

