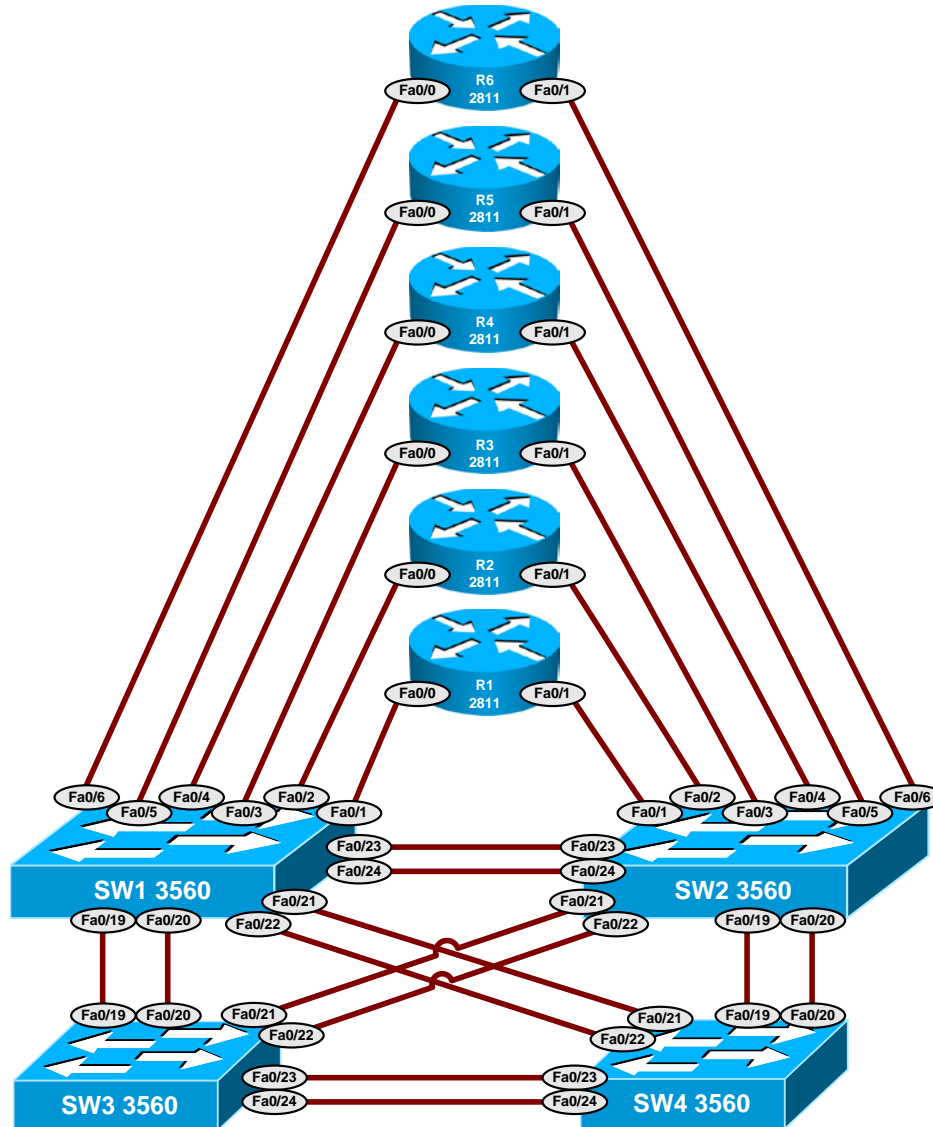
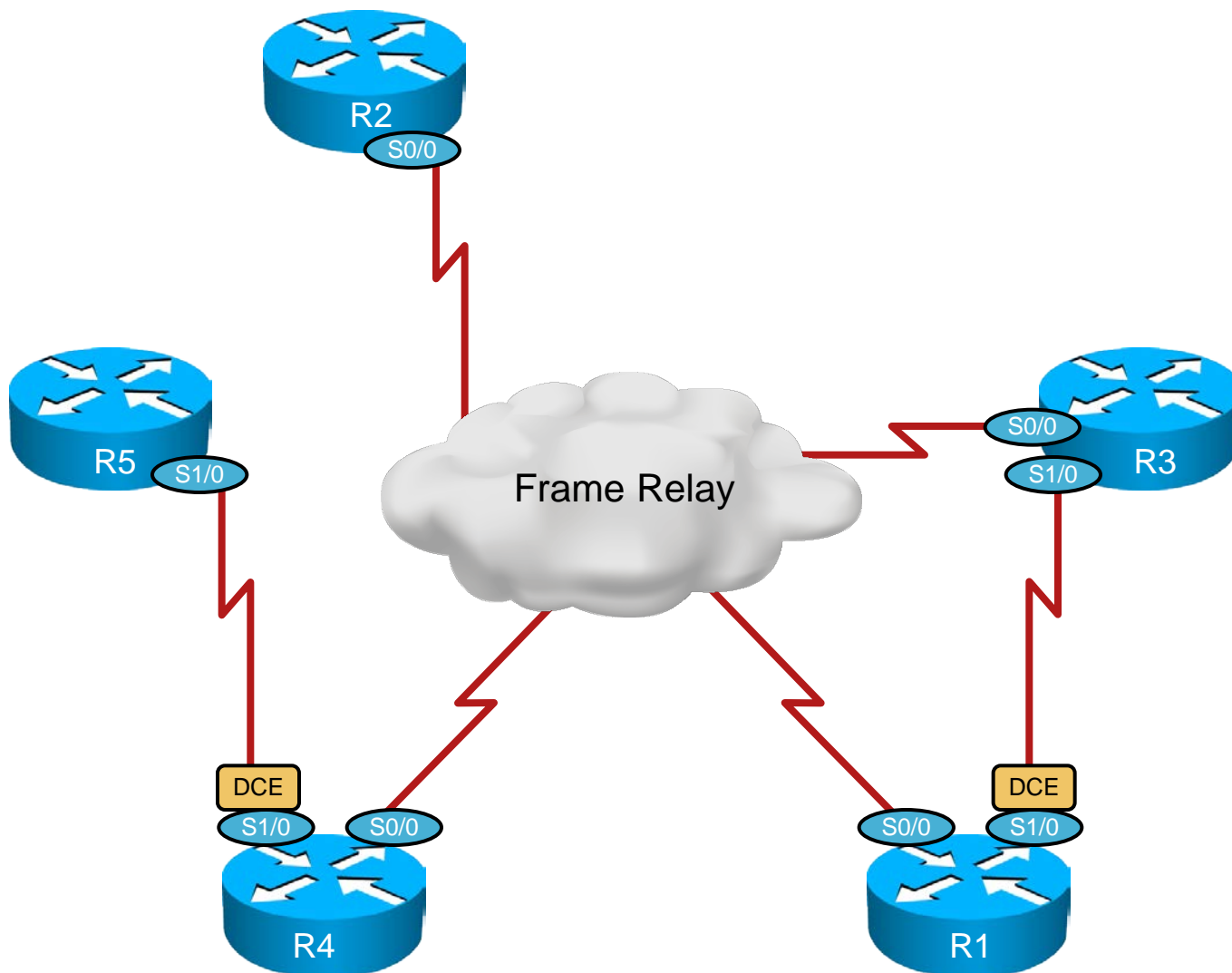


# Ethernet Connections

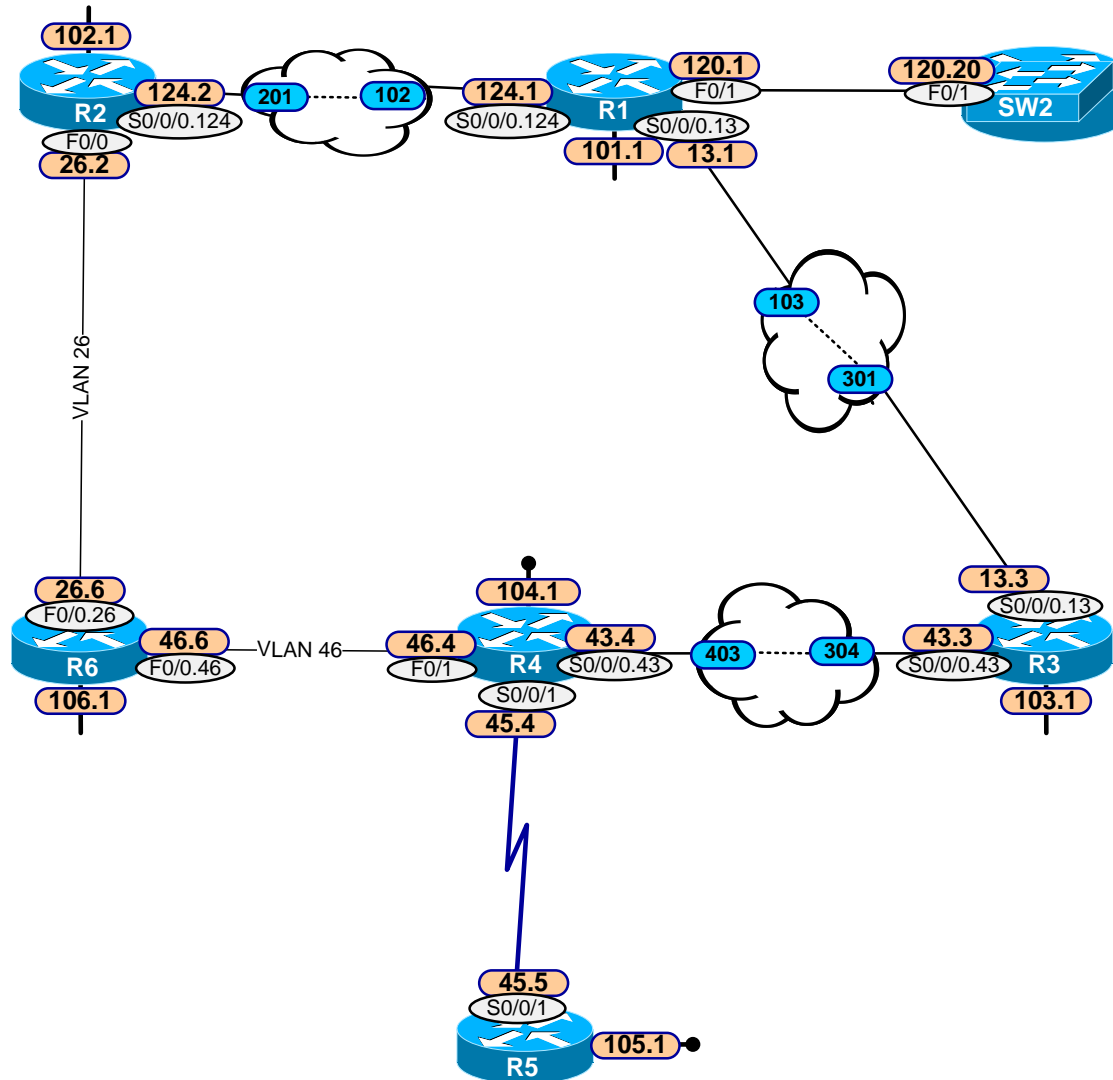


# Serial Connections

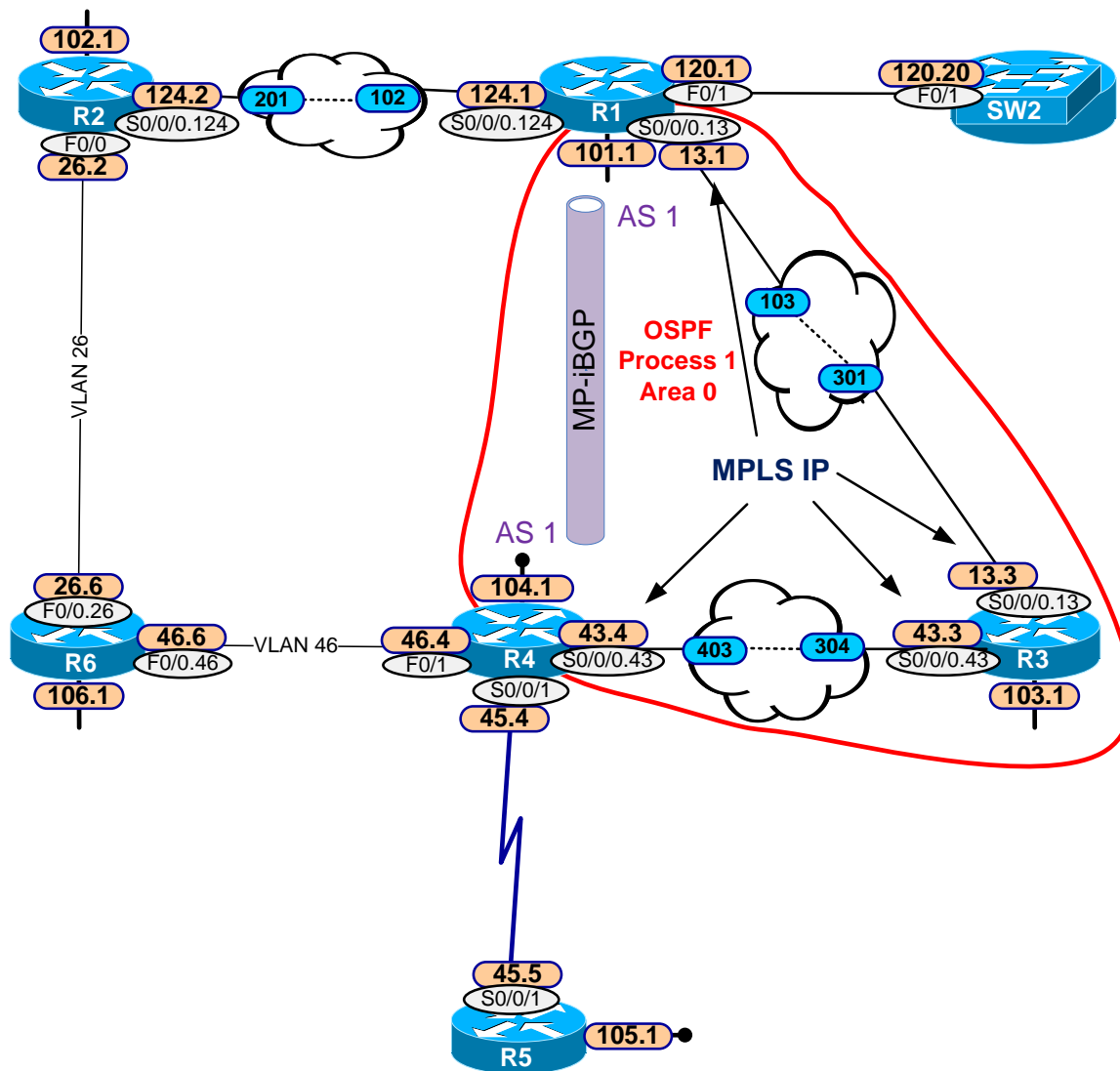




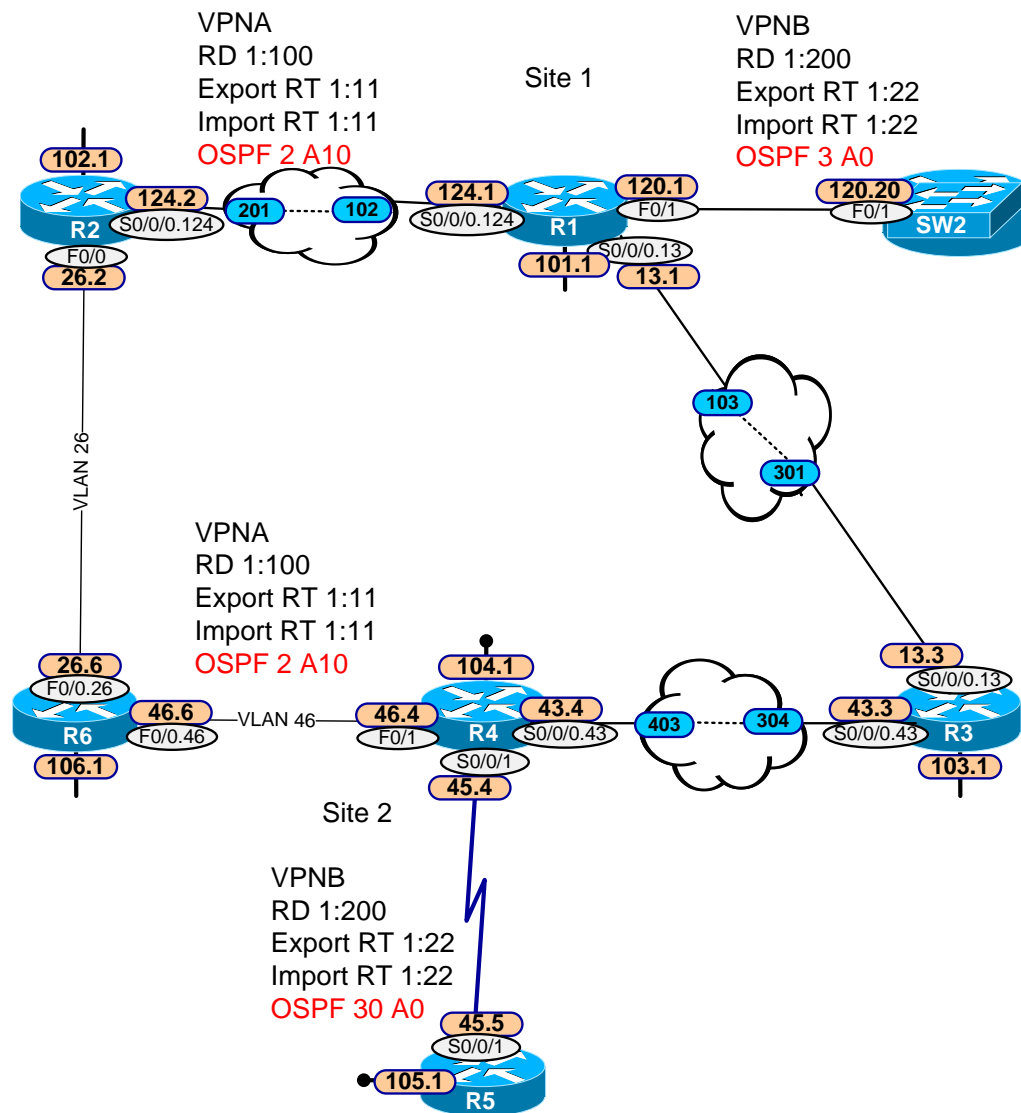
# Lab 5-1 Visual Objective



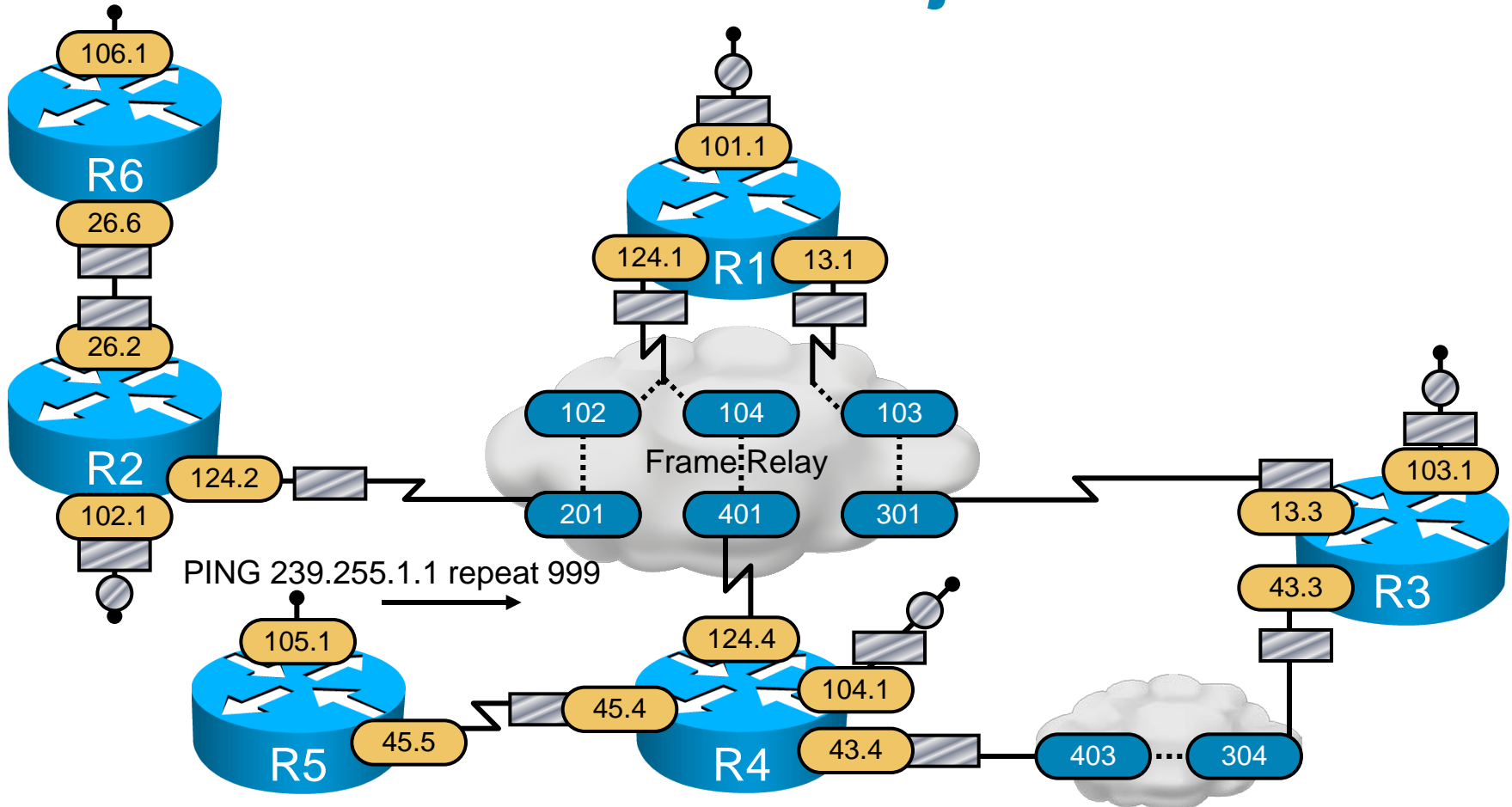
# Lab 5-2 Visual Objective



# Lab 5-3 Visual Objective



# Module 6 Labs Visual Objective

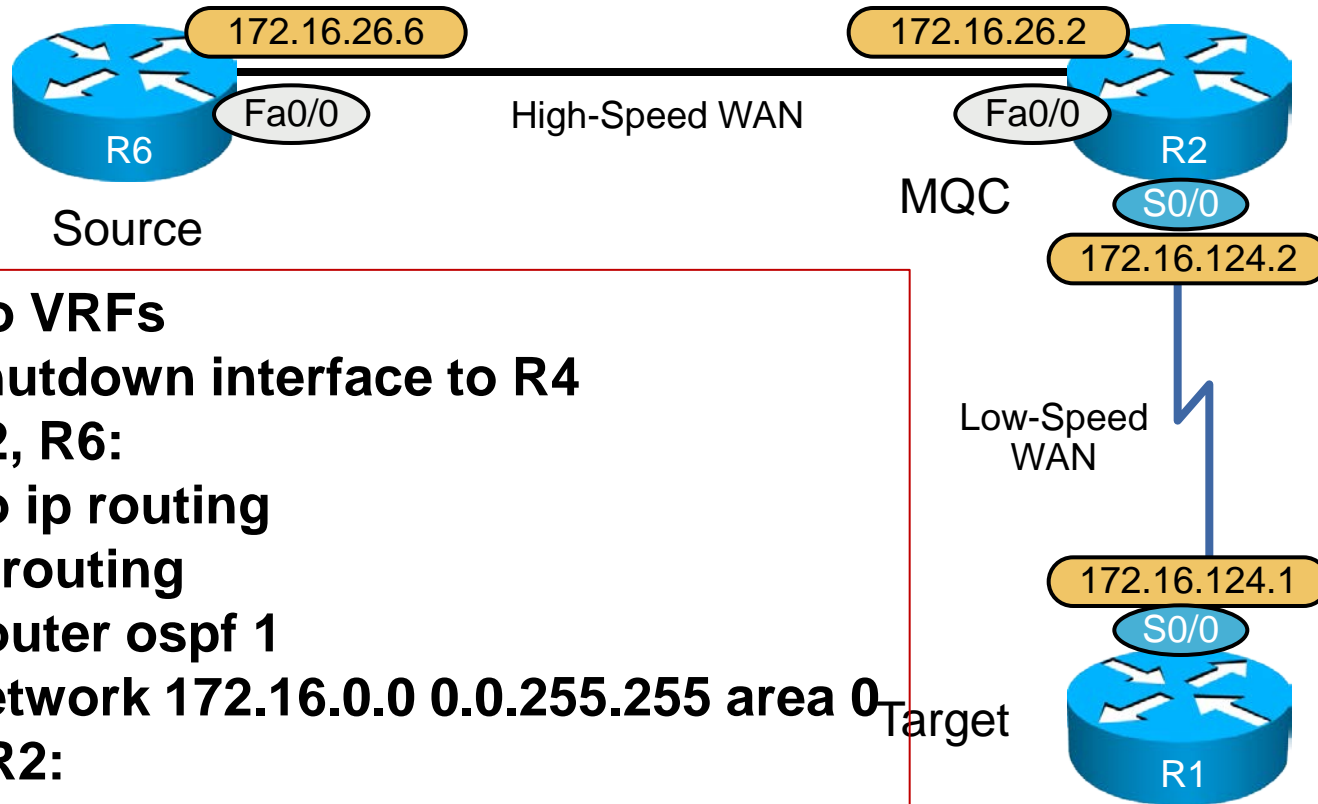


**(config)# ip multicast-routing ! All routers except R5**

**(config-if) ip pim sparse-dense-mode ! Where you see this symbol: ▨**

**(config-if)# ip igmp join-group 239.255.1.1 ! Where you see this symbol: ○**

# Module 7 Directed Activities Visual Objective



**R1: No VRFs**

**R6: shutdown interface to R4**

**R1, R2, R6:**

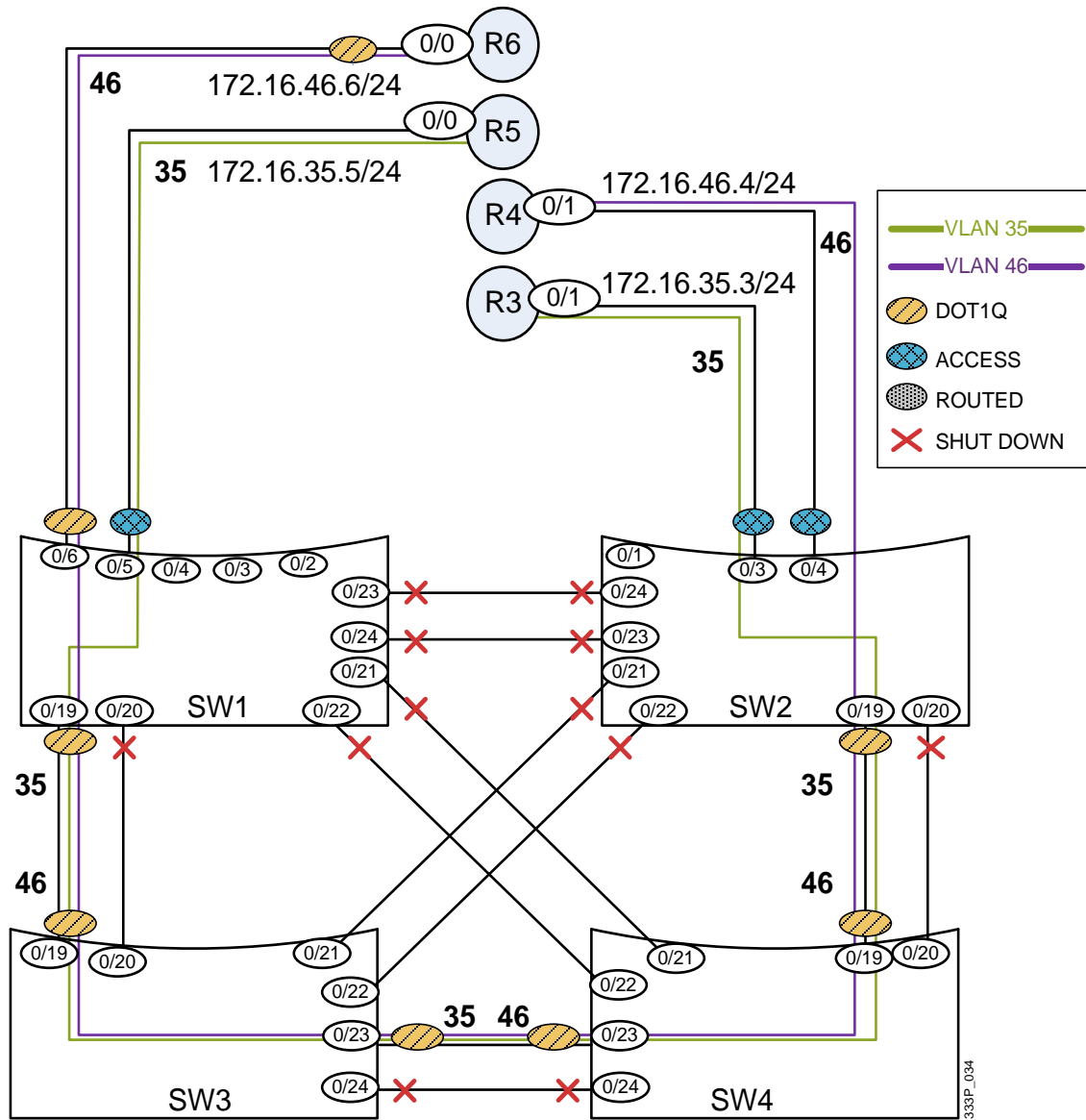
- **No ip routing**
- **Ip routing**
- **Router ospf 1**
- **Network 172.16.0.0 0.0.255.255 area 0**

**R1 & R2:**

**Int s0/0/0.?**

**ip ospf network point-to-point**

# Module 8 Labs Visual Objective



# Appendix A Directed Activities

## Visual Objective

